

V4 Flanged Y-Type Strainer PN16, UL Listed

Product Description

Product Certification

UL Listed

Connection Ends

Flange to BS EN 1092-2:1997

Working Pressure

PN16

Temperature Range

0°C - 100°C Rubber Gasket

Coating

Fusion Bonded Epoxy Coating in accordance with ANSI/AWWA C550

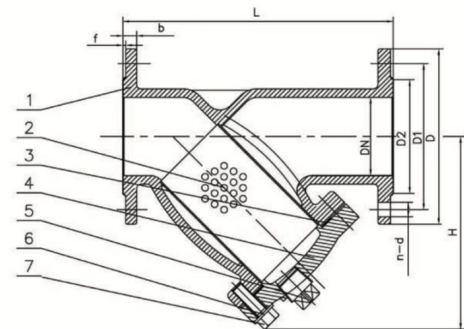


Materials of Construction

Part No.	Part	Standard Specification
1	Valve Body	EN-GJS-450-10
2	Screen	SS304 (Perforated)
3	Gasket	Rubber
4	Bonnet	EN-GJS-450-10
5	Plug	Malleable Iron Galvanized
6	Bolt	Carbon Steel Zinc Plated
7	Flat Washer	Carbon Steel Zinc Plated

Dimensions (in mm)

Inch	mm	L	D	D1	n-Ød
2"	50	230	165	125	4-Ø19
2.5"	65	290	185	145	4-Ø19
3"	80	310	200	160	8-Ø19
4"	100	350	220	180	8-Ø19
5"	125	400	250	210	8-Ø19
6"	150	480	285	240	8-Ø23
8"	200	600	340	295	12-Ø23
10"	250	730	405	355	12-Ø28
12"	300	850	460	410	12-Ø28
18"	450	1200	640	585	20-Ø31
20"	500	1250	715	650	20-Ø34
24"	600	1450	840	770	20-Ø37



Notes

- Product images are for illustration purposes only. Actual product may vary.
- Actual dimensions may change over time, due to continual design improvements. Please confirm before placing order.