

XZ41X BS5163 Flanged Resilient OS&Y Gate Valve PN16, UL/FM Approved

Product Description

Product Certification

UL Listed / FM Approved (EX 29403)

Connection Ends

Flange to BS EN 1092-2:1997

Working Pressure

PN16

Temperature Range

0°C - 100°C

Coating

Fusion Bonded Epoxy Coating in accordance with ANSI/AWWA C550



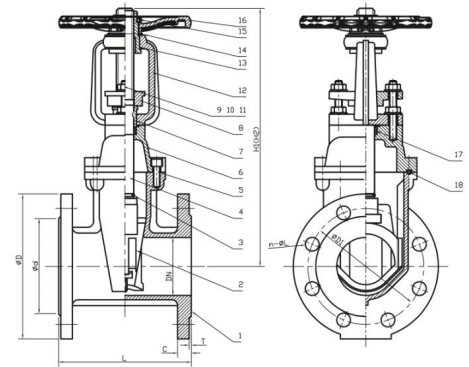
Materials of Construction

Part No.	Part	Standard Specification
1	Valve Body	EN-GJS-450-10
2	Resilient Wedge Disc	EN-GJS-450-10+EPDM
3	O-Ring	NBR
4	Stem	Stainless Steel
5	Bolt	Carbon Steel Zinc Plated
6	Bonnet	EN-GJS-450-10
7	Stem Bushing	Brass Hpb59-1
8	Gland	EN-GJS-450-10
9	Flat Washer	Carbon Steel Zinc Plated
10	Stud	Carbon Steel Zinc Plated
11	Nut	Carbon Steel Zinc Plated
12	Yoke	EN-GJS-450-10
13	Stem Nut	Brass Hpb59-1
14	Washer	Brass Hpb59-1
15	Locknut	Carbon Steel Zinc Plated
16	Handwheel	EN-GJS-450-10
17	Stem Packing	EPDM
18	Bonnet Gasket	EPDM

Dimensions (in mm)

Inch	mm	L	H2 (Max)	D	D1 (P.C.D.)	n-Ø L
2"	50	178	400	165	125	4-Ø19
2.5"	65	190	440	185	145	4-Ø19
3"	80	203	490	200	160	8-Ø19
4"	100	229	573	200	180	8-Ø19
5"	125	254	665	250	210	8-Ø19
6"	150	267	743	285	240	8-Ø23
8"	200	292	975	340	295	12-Ø23

Inch	mm	L	H2 (Max)	D	D1 (P.C.D.)	n-Ø L
10"	250	330	1190	405	355	12-Ø28
12"	300	356	1370	460	410	12-Ø28
14"	350	381	1817	520	470	16-Ø28
16"	400	406	1817	580	525	16-Ø31
18"	450	432	2308	640	585	20-Ø31
20"	500	457	2329	715	650	20-Ø34
24"	600	508	2649	840	770	20-Ø37



Notes

1. Product images are for illustration purposes only. Actual product may vary.
2. Actual dimensions may change over time, due to continual design improvements. Please confirm before placing order.