

BFX C.I. Butterfly Valve Wafer Type, Lever Operated

Product Description

HSN 84818030

Product : Sant C.I. Butterfly Valve Wafer Type (Lever Operated)
Type of Pattern : Replaceable Seat & Disc
Pressure/Class /Rating : PN16
Body Material cum standard : Cast Iron to IS:210 FG 200
Type of Seat : EPDM Lining
Type of Disc : SG Iron
Stem : AISI-410
End Details : Suitable between Flanges ASME B 16.1 CI-125

Testing & Certification

Body Test Pressure : 2.4MPa Hyd.
Seat Test Pressure : 1.6MPa Hyd.

Our Works' Test Certificate is furnished with every supply.

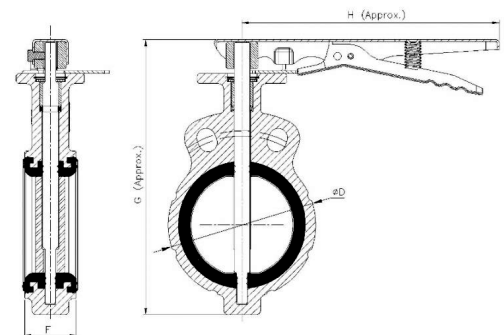


Materials of Construction

Components	Materials	Specifications
Body	Cast Iron	IS:210 Gr.FG200
Replicable Seat	EPDM/Nitrile Rubber	—
Disc	S.G. Iron	—
Stem	S.S.	AISI-410
O Seal Ring	EPDM	—
Bush	PTFE	—
Washer	Mild Steel	—
Bolt	S.S.	—
Circlip	Spring Steel	—
Indexing Plate	M.S. (Galvanized)	—
Lever	M.S. Sheet	—

Dimensions (in mm)

Nominal Size	Nominal Size (Inches)	F	ØD	H (Approx.)	G (Approx.)
50	2	43±2	91	182	204
65	2.1/2	46±2	97	182	204
80	3	46±2	117	182	234
100	4	52±2	149	260	278
125	5	56±2	169	260	309
150	6	56±2	202	260	346
200	8	60±2	250	350	391



Notes

1. Product images are for illustration purposes only. Actual product may vary.
2. Actual dimensions may change over time, due to continual design improvements. Please confirm before placing order.