

SSBVS Stainless Steel Ball Valve Screwed

Product Description

HSN 84818090

Product : Sant Stainless Steel Ball Valve
 Body Material Cum Standard : SS CF 8 M
 Product Description : Two Piece Design Lever Operated
 Type of Seat : Renewable PTFE Seat
 Type of Ball : CF-8M/SS 316
 Stem : SS 316
 Packing : PTFE
 End Details : Screwed Female BSP Taper Threads
 Port Opening : Full Bore



Testing & Certification

Body Test Pressure : 100kg/cm²g Hyd.
 Seat Test Pressure : 100kg/cm²g Hyd.

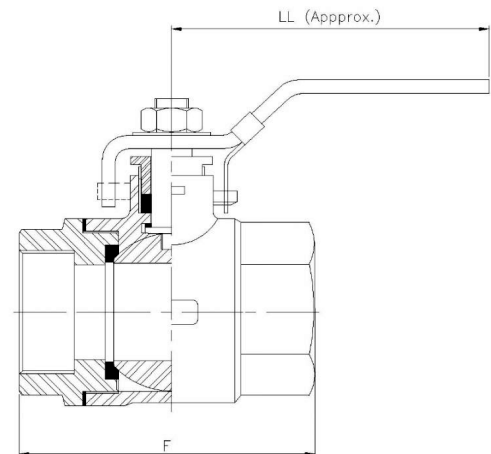
Our Works' Test Certificate is furnished with every supply.

Materials of Construction

Components	Materials	Specifications
Body, Ball	S.S.	AISI-316/CF8-M
Stem	S.S.	AISI-316
Gasket, Gland packing, Thrust Washer, Seat	PTFE	—
Connector	C.C.S.	AISI-316/CF8-M
Gland Nut, Nut	S.S.	AISI-304
Lever	S.S.	AISI-201 With PVC Sleeve

Dimensions (in mm)

Nominal Size	Nominal Size (Inches)	F±2	LL (Approx.)
15	1/2	61±2	104
20	3/4	71±2	109
25	1	81±2	125
32	1.1/4	97±2	139
40	1.1/2	106±2	153
50	2	118±2	158



Notes

1. Product images are for illustration purposes only. Actual product may vary.
2. Actual dimensions may change over time, due to continual design improvements. Please confirm before placing order.