

## CI-16 Cast Iron Y Type Strainer Screwed

### Product Description

HSN 84818030

Product : 'SANT' Cast Iron Y Type Strainer  
Type of Pattern : Y Type  
Body Material cum Standard : Cast Iron IS:210 Gr.FG200  
Description : Screwed in cover  
Trim : SS AISI-304 Screen having 1.2mm perforation  
End Details : Screwed Female BSP Parallel threads to BS 21.

### Testing & Certification

Body Test Pressure : 24 Kg/cm<sup>2</sup>  
Working Pressure : 16 Kg/cm<sup>2</sup>  
Max Working Temperature: 225°C

Our Works' Test Certificate is furnished with every supply.

### Application

Water

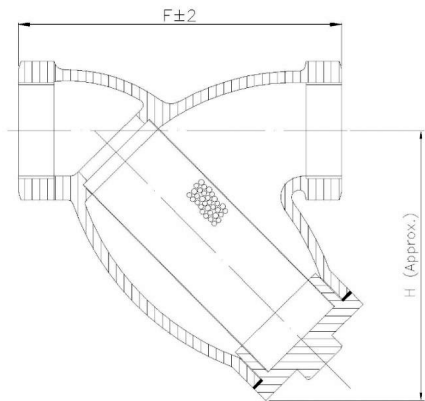


### Materials of Construction

Components	Materials	Specifications
Body, Cover	Cast Iron	IS:210 Gr.FG200
Screen	Stainless Steel	S.S. (AISI-304)
Gasket	Compressed Asbestos Fibre	IS:2712 Gr.C

### Dimensions (in mm)

Nominal Size	Nominal Size (Inches)	F	H (Approx.)
15	1/2	70±2	55
20	3/4	90±2	60
25	1	125±2	95
32	1.1/4	125±2	105
40	1.1/2	160±2	120
50	2	200±2	160



### Notes

1. Product images are for illustration purposes only. Actual product may vary.
2. Actual dimensions may change over time, due to continual design improvements. Please confirm before placing order.